

# INSTALLATION MANUAL

## TOP DISCHARGE UNIVERSAL OUTDOOR UNIT

### INSTALLATION PRECAUTION

- To install properly, please read this manual at first.
- The air conditioner must be installed by qualified persons.
- When all the installation work is finished, please turn on the power only after a thorough check.
- No further announcement if there is any change of this manual caused by product improvement.



### NOTE

The installer should illustrate to users how to correctly use and maintain the air-conditioner, as well as remind users to carefully read and keep this Manual.

#### ■ Notes Before Installation

1. Select the correct carry-in path.
2. Move this unit as originally packaged as possible.
3. If the air conditioner is installed on a metal part of the building, it must be electrically insulated according to the relevant standards to electrical appliances.
4. Installation work must be performed in accordance with the national wiring Standards by authorized personnel only.

### INSTALLATION PLACE

#### ■ The Outdoor Unit

- There is enough room for installation and maintenance.
- The air outlet and the air inlet are not impeded, and can not be reached by strong wind.
- The place is dry and ventilative.
- The support is flat and horizontal and can stand the weight of the outdoor unit. And on additional noise or vibration.
- Your neighborhood will not feel uncomfortable with the noise or expelled air.
- There is no leakage of combustible gas.
- It is easy to install the connecting pipe or cables.



### CAUTIONS

Location in the following places may cause malfunction of the machine. (If unavoidable, please consult your local dealer.)

- There exists petrolatum.
- There is salty air surrounding (near the coast).
- There is caustic gas (the sulfide, for example) existing in the air (near a hot spring).
- The Volt vibrates violently (in the factories).
- In buses or cabinets.
- In kitchen where it is full of oil gas.
- There is strong electromagnetic wave existing.
- There are inflammable materials or gas.
- There is acid or alkaline liquid evaporating.
- Other special conditions.



### NOTE

#### Remark per EMC Directive 89/336/EEC

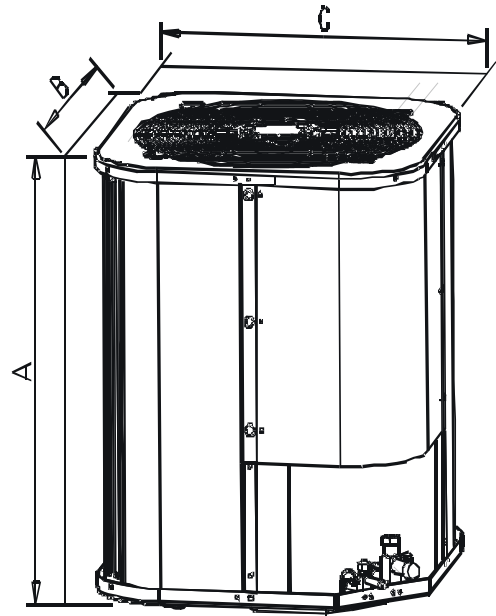
For to prevent flicker impressions during the start of the compressor (technical process), following installation conditions apply.

- The power connection for the air conditioner has to be done at the main power distribution. The distribution has to be of a low impedance, normally the required impedance reaches at a 32A fusing point.
- No other equipment has to be connected with this power line.
- For detailed installation acceptance, please refer to your contract with the power supplier if restrictions do apply for products like washing machines, air conditioners or electrical ovens.
- For power details of the air conditioner, refer to the rating plate of the product.
- For any question contact your local dealer.

# OUTDOOR UNIT INSTALLATION

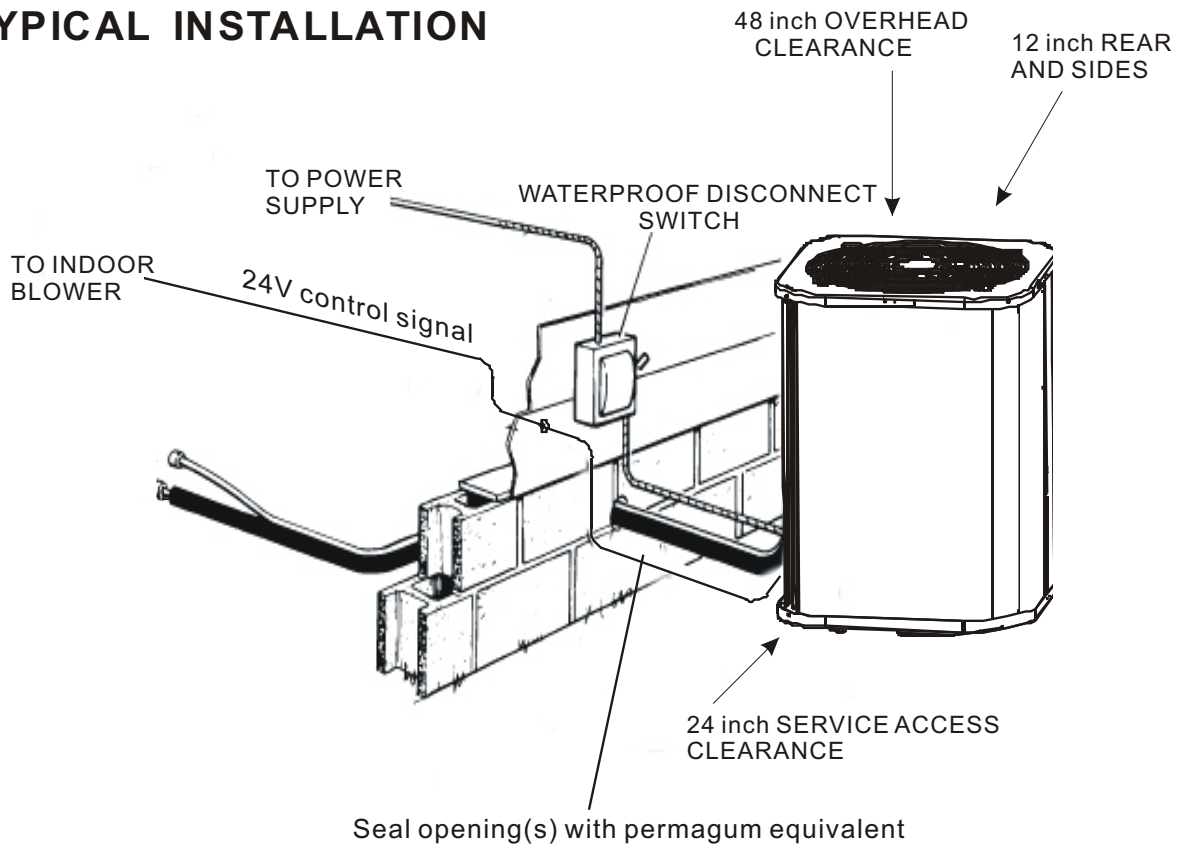
All dimensions are in mm. They are subject to change without notice. Certified dimensions will be provided upon request.

| Unit Model | Dimensions(mm) |     |     | Refrigerant Connection Line Size(mm) |      |          |
|------------|----------------|-----|-----|--------------------------------------|------|----------|
|            | A              | B   | C   | Liquid(Φ)                            |      | Vapor(Φ) |
|            |                |     |     | LF                                   | RF   |          |
| 18         | 633            | 554 | 554 | 6.35                                 |      | 12.7     |
| 24         | 633            | 554 | 554 | 9.52                                 |      | 15.88    |
| 36         | 633            | 554 | 554 | 9.52                                 | 12.7 | 19.05    |
|            | 633            | 740 | 740 |                                      |      |          |
|            | 835            | 554 | 554 |                                      |      |          |
| 48         | 835            | 740 | 740 | 9.52                                 | 12.7 | 19.05    |
| 60         | 835            | 740 | 740 | 9.52                                 | 12.7 | 19.05    |



NOTE: LF means cooling only model; RF means heat pump model.

## TYPICAL INSTALLATION



### NOTE

All outdoor wiring must be weatherproof. The part of installing the connecting pipe and wiring can be found in the installation manual of ceiling and floor type.